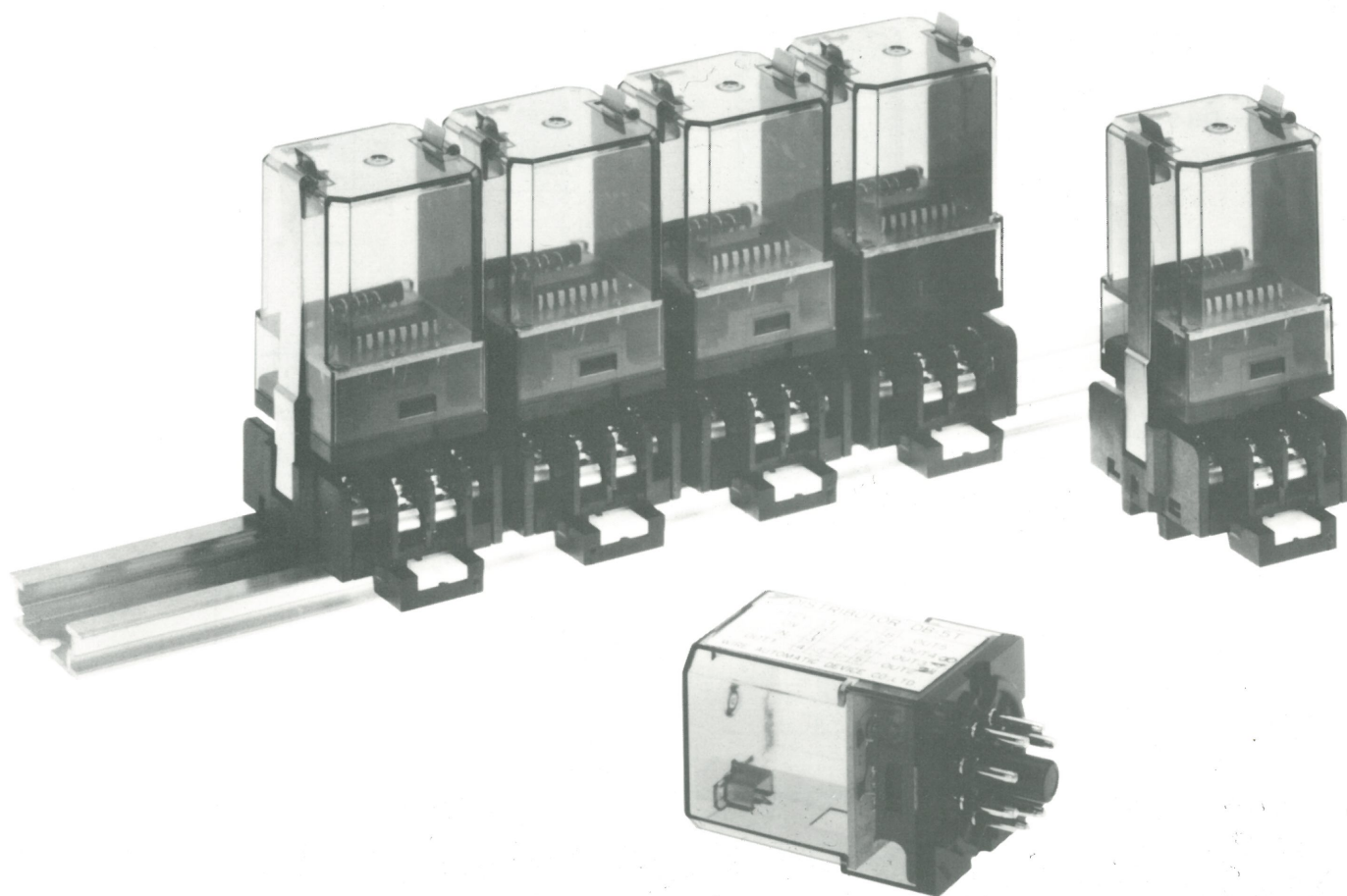


# DISTRIBUTOR

MODEL **DB-5T**

# WADECO

Many electronic counter units can be driven by only one sensor.



---

## Introduction

---

The DB-5T Distributor receives an input signal from such sensors as a proximity switch, rotary encoder, etc. This input pulse can be distributed to 5 different circuits, thus with one sensor you can drive up to five electronic counter units. It is compact and rail mounted type.

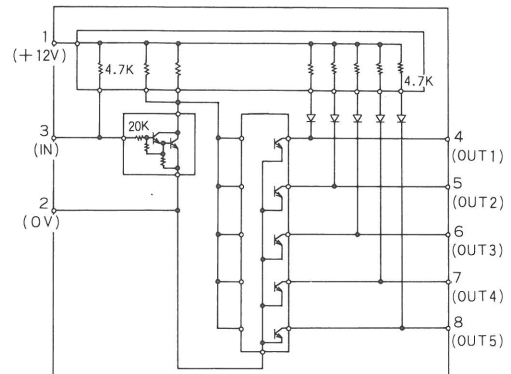


**WIRE AUTOMATIC DEVICE CO., LTD.**

**Specifications**

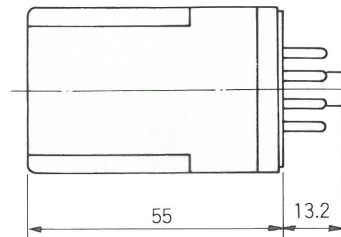
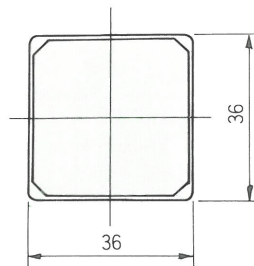
Type: Distributor DB-5T  
 Socket TP-38X  
 Power supply: DC 12 ~ 15V  
 Power consumption: 20 mA  
 Input: Non-contact pulse input.  
 Input by means of "H" (high) and "L" (low) input signal voltages.  
 Output: Non-contact pulse output.  
 Output by means of "H" (high) and "L" (low) output signal voltages.  
 Response frequency: 20 KHz  
 Ambient temperature: -10°C ~ +55°C  
 Weight: Distributor 30g  
 Socket 50g

**Connection**

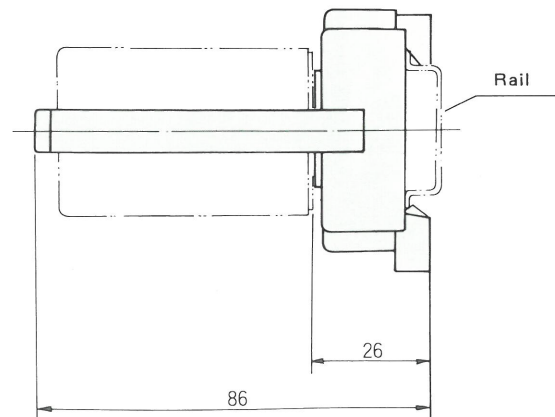
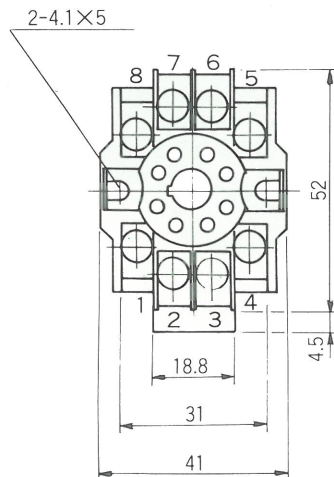


**External Dimensions**

Distributor  
Type DB-5T



Socket  
with metal fastening clips  
Type TP-38X



*This specification may be changed without notification.*