

DC DIGITAL VOLTAGE REGULATOR

MODEL **DCR-4** PAT.

DC Voltage easily adjusted by digital switches.

WADECO



General

In the pursuit of excellence, the popular DCR-2's design has been handed down to the new DCR-4 making it more reliable and easier to handle.

This is a DC digital voltage regulator which can control the output voltage by creating a pulse with a given frequency thus regulating the width of the pulse with the digital switch in order to obtain the required output voltage.

This unit can be used to control a powder brake and other DC devices with the same ease as an AC sliding transformer.

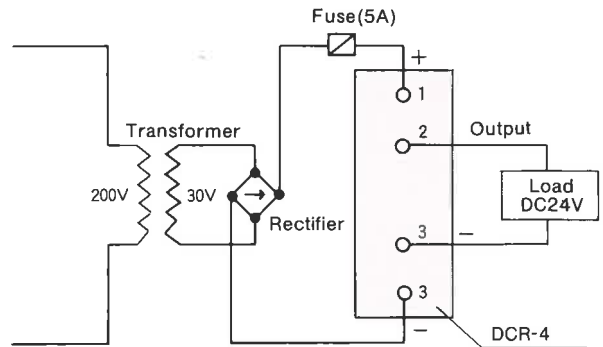
Specifications

- Control circuit requires no power supply.
- No significant power loss. The output voltage can be regulated from 0 to maximum.
- The ratio of the adjusted output voltage to the input voltage is always constant and is not affected by the temperature.
- The output value is adjusted by digital switches which prevent the adjusted value from changing through vibration.
- Plugs are provided for easy measuring.
- With an on-off switch.
- This can be installed in a rotating machine because of rigid construction.
- Case mounting or panel mounting for easy installation available.
- Compact and lightweight.

Specifications

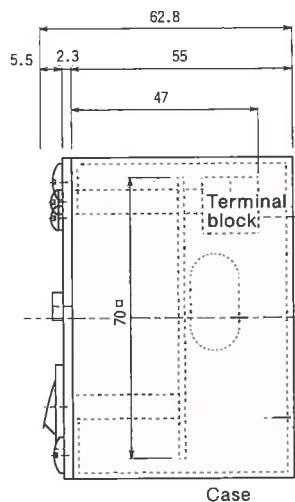
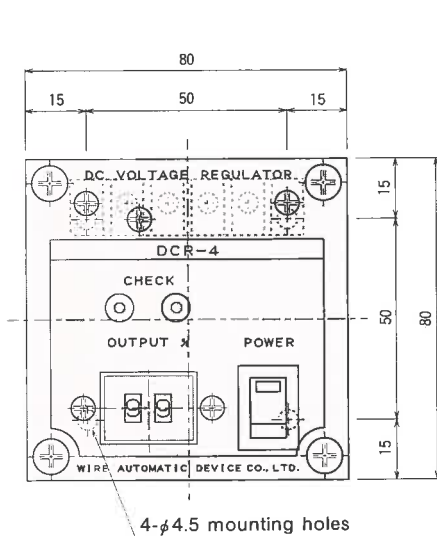
Type:	DCR-41 Case mounting (with case) DCR-42 Panel mounting (without case)
Input:	DC5~35V Rectified by using (a single or 3-phase) bridge connection.
Output:	DC0~Max. Input voltage-1.7V The output voltage is divided into 99 steps with the digital switch.
Output current:	Max. DC5A (Resistant or inductive load)
Ambient temperature:	-10°C~+50°C
Noise tolerance:	Square wave, noise from noise simulator (Rising time:1 nanosecond, Width:1 microsecond) ±1.5KV(Normal and common modes) with the frequency of the power supply or the frequency of 100 cycles per second in the 0~360° phase.
Color:	Surface/Black Case/Cream (Munsell 5Y7/1)
Weight:	DCR-41/500g DCR-42/210g

Connection

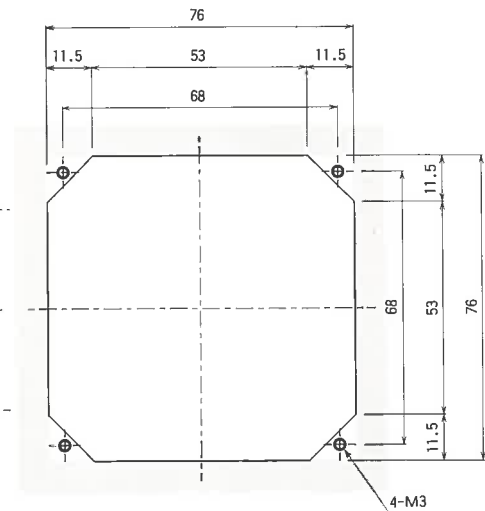


[Caution]
Misconnection of plus or minus to the input will cause damage. The output (between terminal Nos. 2 and 3) must not be short-circuited or earthed. Please be sure it is properly connected before turning on power supply.

Dimensions



Mounting Hole Dimensions (DCR-42)



This specification may be changed without notifying the buyer.



HEAD OFFICE 1-12-9, Meishin-cho, Amagasaki-shi, Hyogo-ken, 661-0021, Japan
TEL(06)6422-1248 FAX(06)6422-1247
TOKYO BRANCH 202 Shibuya-homes,2-1,Udagawa-cho,Shibuya-ku,Tokyo
150-0042,Japan
TEL.+81-3-3770-5519 FAX.+81-3-3770-5520
www.wadeco.co.jp