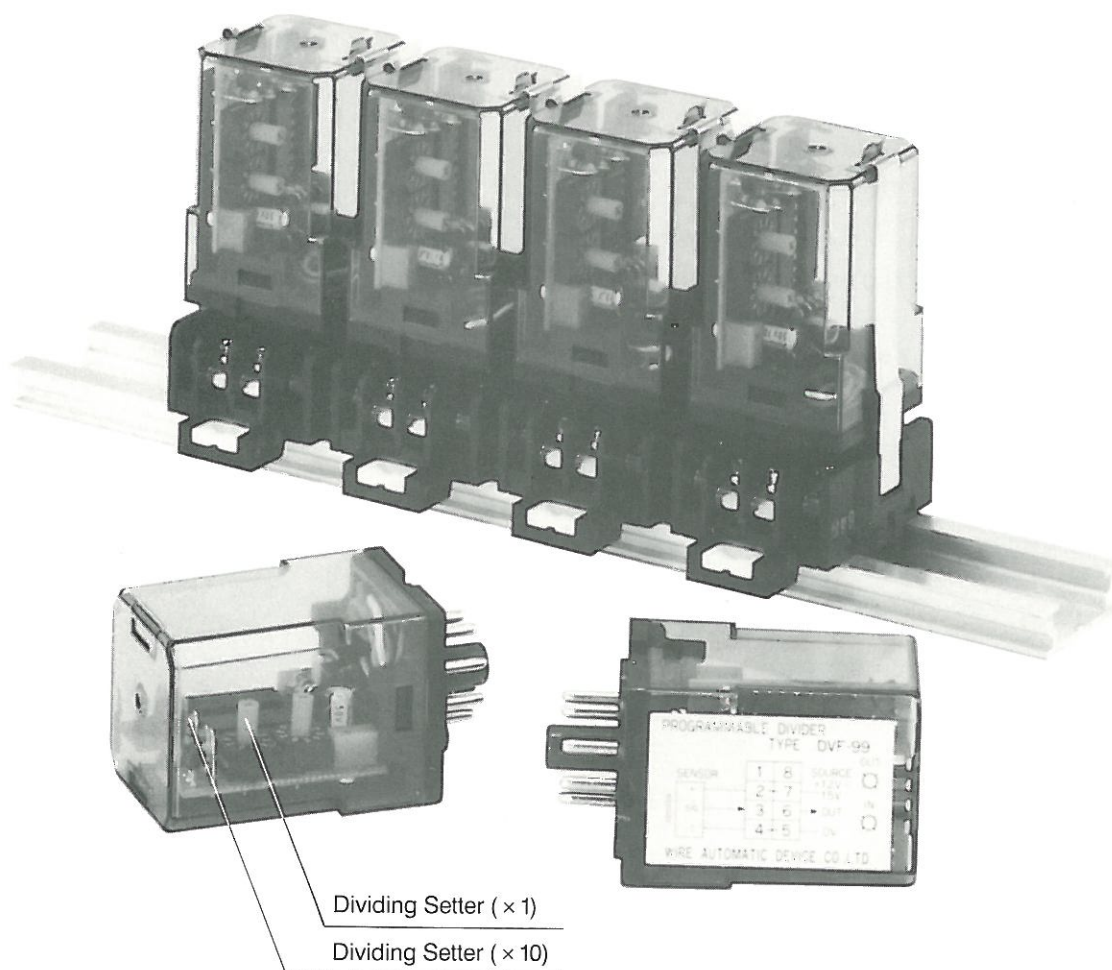


PULSE DIVIDER

MODEL **DVF-99**

WADECO

This device can be used to divide the input pulse sent to an electric counter.



Introduction

Type DVF-99 Divider receives pulses from a pulse generator then outputs pulse divided in ratios 1/1 ~ 1/99 (adjustable). You may obtain the desired ratio by complying this device's division ratio with the pulse ratio obtained from the rotation of the measuring shaft. So it may be used as a reduction gear.

Special Features

- The presence of input or output pulses is readily seen on the indications.
- The pulse division ratio is easily adjustable.
- Compact and rail mounted type.



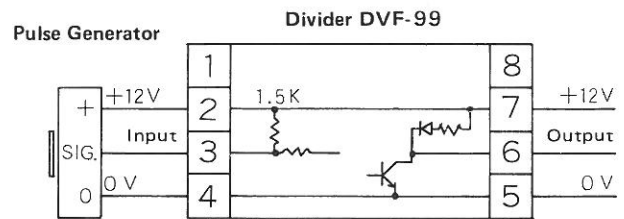
WIRE AUTOMATIC DEVICE CO.,LTD.

PULSE DIVIDER

Specifications

Type:	Divider DVF-99
Power supply:	Socket TP-38X DC12 ~ 15V
Power consumption:	12mA
Input:	Non-contact pulse input. Input by means of "H" (high) and "L" (low) input signal voltages.
Output:	Non-contact pulse output. Output by means of "H" (high) and "L" (low) output signal voltages.
Response frequency:	2 KHz
Dividing ratio:	1/1 ~ 1/99(adjustable)
Ambient temperature:	-10°C ~ +50°C
Weight:	Divider 40g Socket 50g

Connection



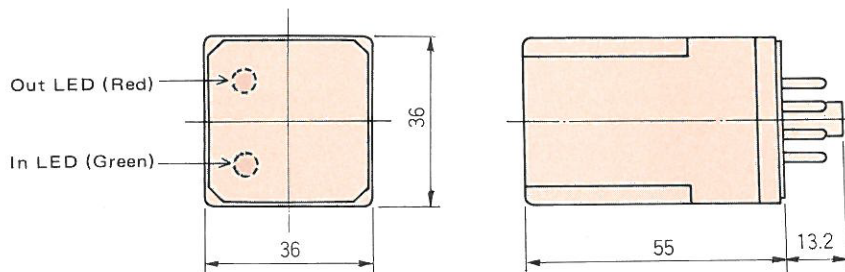
How to set ratio of Divider

With a flat head (-) screwdriver, remove transparent cover and preset the dividing ratio.

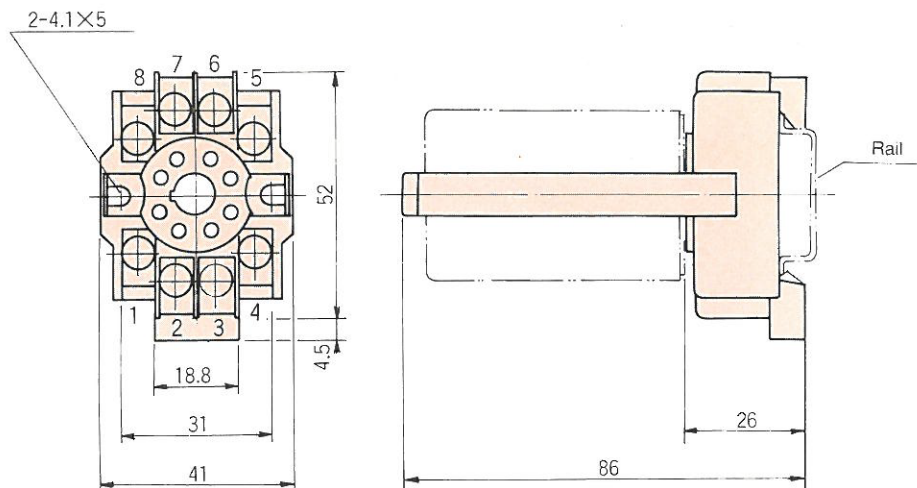
For example, when the dividing ratio of 1/12 is required, set one dividing setter ($\times 10$) at 1 and the other one ($\times 1$) at 2 respectively.

External Dimensions

Divider
Type DVF-99



Socket
with metal fastening clips
Type TP38X



This specification may be changed without notification.