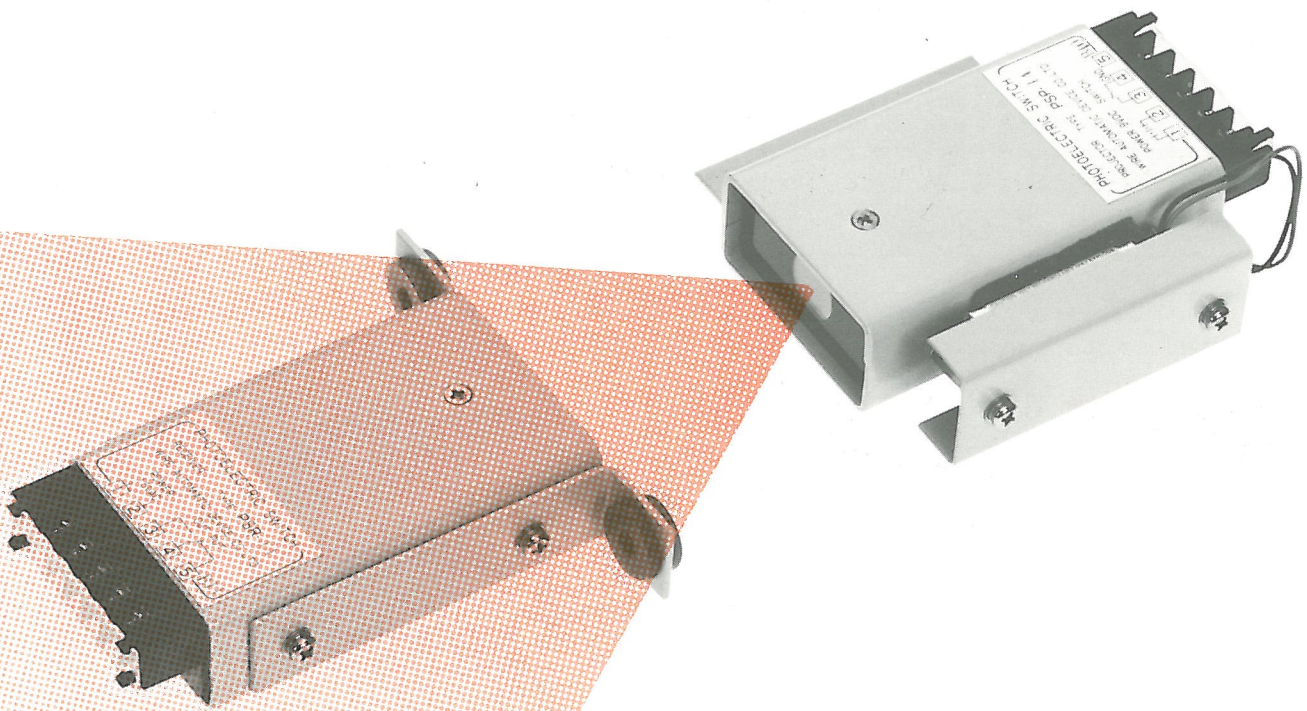


BATTERY OPERATED PHOTO-SWITCH

MODEL **PSP-14, PSR-14** PAT. PEND.

WADECO

This device, when installed in a wire bunching machine, can inform the operator of an abnormal condition in the cradle without using slipping.



Introduction

The projector may be installed where there is no power supply and the receiver may be installed externally to the machine. They must be installed in a face-to-face position. When projector's terminal numbers 3 and 4 are connected by a switch, either momentary or continuously, the projector emits a light beam for approx. 4 secs. Consequently the output relay of the receiver will be activated only when light is being received. For example, when installed in the cradle of a wire bunching machine, it can inform the operator of an abnormal condition in the cradle.

Special Features

- No adjustments are required, because this device has a wide angle of emission. Even if the projector has small movement the receiver will operate effectively.
- The battery is commonly available and has a long life due to low power consumption.
- The projector will emit light when terminals 3 and 4 are connected for as little as 0.1 milliseconds. (When surface resistance of contacts in switch is less than 1KΩ.)
- Easily connected to commercial power supply through a small transformer (2VA) which may be supplied separately.
- Rigid construction can withstand strong vibrations.



WIRE AUTOMATIC DEVICE CO., LTD.

Specifications

		Projector	Receiver	
Type	Standard	PSP-14	PSR-14	
	Head separated type	Body		PSP-15
		Head		PSH-15
Operational distance		0 ~ 1m		
Power supply		Battery S-006P 8-10VDC	15VAC±15%	
Power consumption		Less than 1 micro A (non-emission) 5 milli A (emission)	1VA	
Relay output			AC250V, 3A (COSφ = 1)	
Light beam		Infra-red (invisible)		
Minimum contact time (between terminals 3 and 4)		0.1 millisecs. (surface resistance < 1KΩ)		
Ambient temperature		Minus 10°C – plus 55°C		
Maximum illuminosity		10,000 lux		
Colour of body		Cream (Munsell 5Y 7/1)		
Head		MC Nylon 801 Black		
Weight	Standard	530g	460g	
	Head separated type	Body		530g
		Head		70g (Including wire)

Operation of projector:

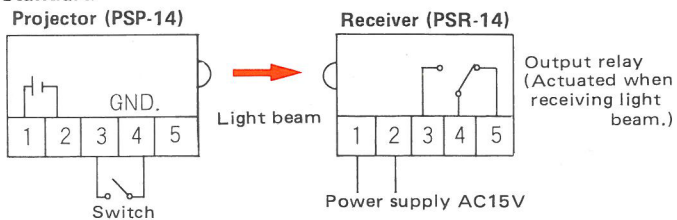
When projector's terminals 3 and 4 are connected either momentarily or continuously, it will emit for approx. 4 secs. then cease automatically. Disconnection between terminals 3 and 4 for approx. 30 secs. will enable the projector to emit again.

Battery life:

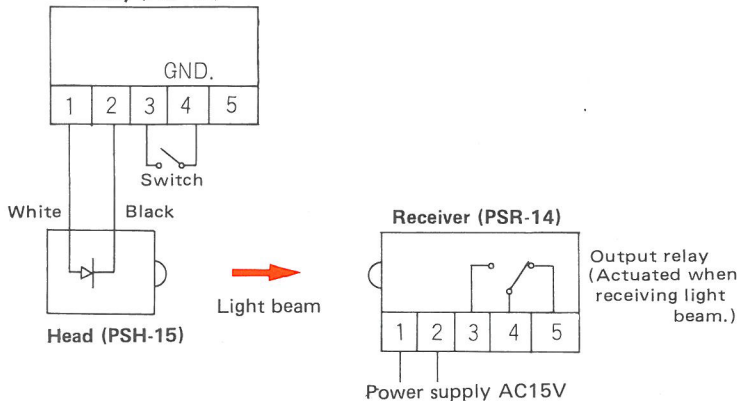
More than 30,000 emissions or greater than 1 year.

Connection

Standard



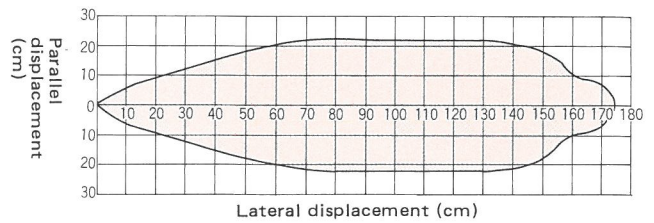
Head separated type Body (PSP-15)



Head separated type projector may be used when space is limited.

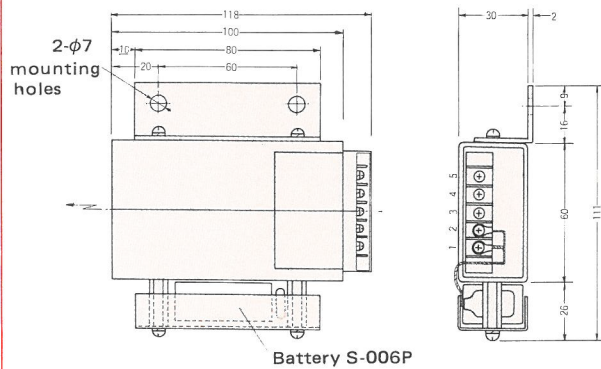
Parallel movement characteristic

Receiver is fixed. Projector moves parallel to the face of the receiver.

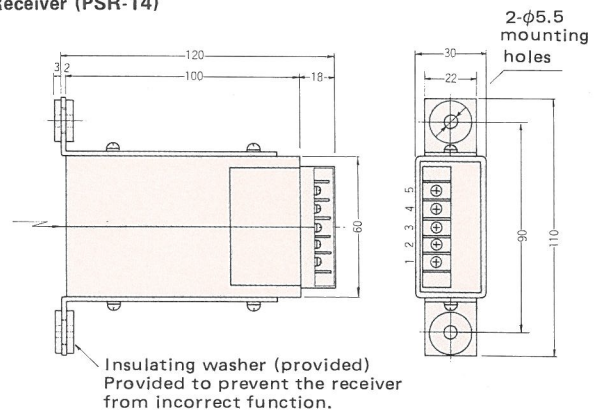


External Dimensions

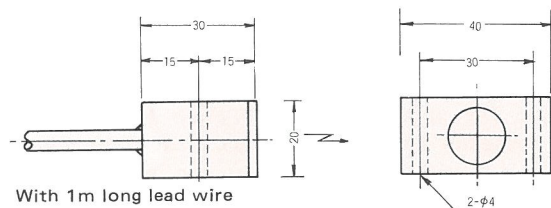
Projector (PSP-14 · PSP-15)



Receiver (PSR-14)



Head (PSH-15)



This specification may be changed without notification.