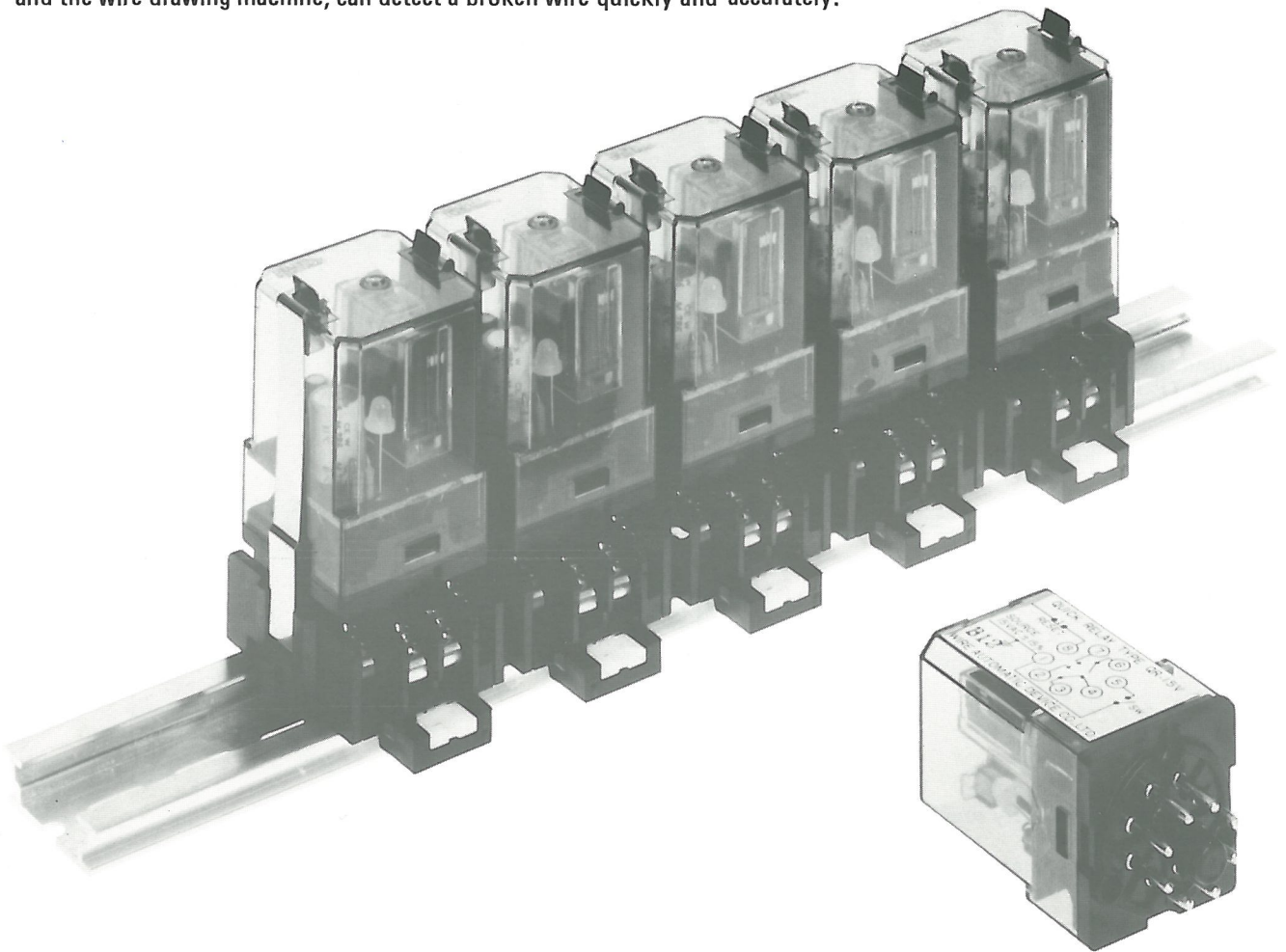


# QUICK RELAY

MODEL QR-15V

# WADECO

This device, when installed in wire making machines such as the wire stranding machine and the wire drawing machine, can detect a broken wire quickly and accurately.



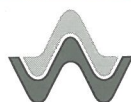
## Introduction

Type QR-15V Quick Relay is a high response relay which will respond when the terminal numbers "5" and "1" are connected momentarily (for more than 0.1msec.) by a broken wire.

In addition to being used as a broken wire detector, it can also be used as a high response relay.

## Special Features

- This will respond to a very short time connection between terminal numbers "5" and "1".  
Minimum time to be connected:  
0.1msec.  
When contact resistance is less than 1k $\Omega$ .
- The activation of the relay is readily seen on the indicator.
- Easily connected to commercial power supply by a small transformer (2VA) which may be supplied separately.
- Compact and rail mounted type.

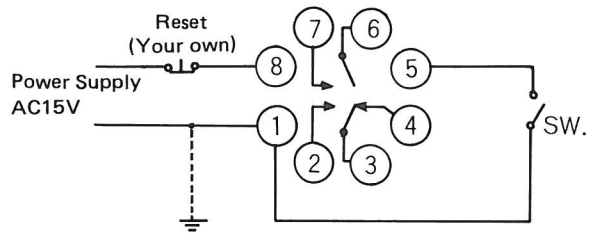


WIRE AUTOMATIC DEVICE CO., LTD.

**Specifications**

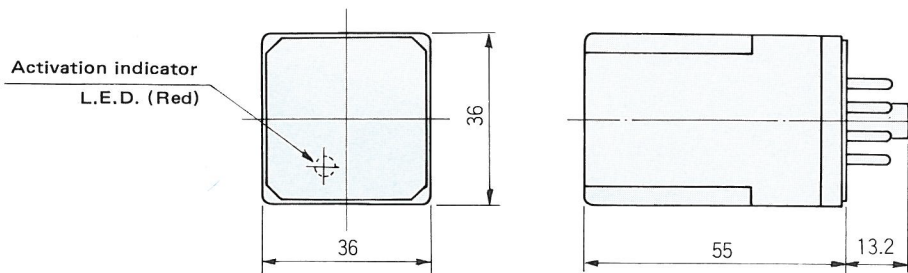
**Type:** Relay QR-15V  
**Socket TP-38X**  
**Power supply:** AC15V (+10% -20%)  
**Power consumption:** 1VA  
**Minimum time to be connected:** 0.1msec.  
**Output:** When contact resistance is less than 1kΩ, 1C+1a AC250V, 3A (cosφ = 1)  
 It will be maintained when the terminal numbers "5" and "1" are connected and may be reset by switching power off.  
**Ambient temperature:** -10°C ~ +55°C  
**Weight:** Relay 50g  
 Socket 50g

**Connection**

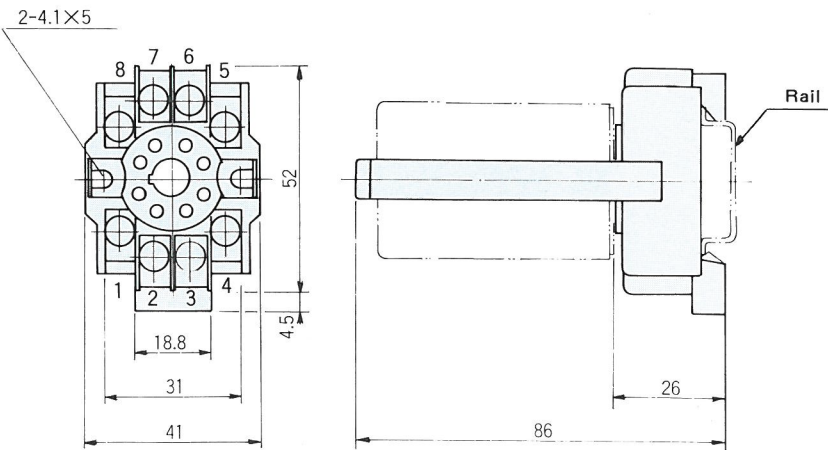


**External Dimensions**

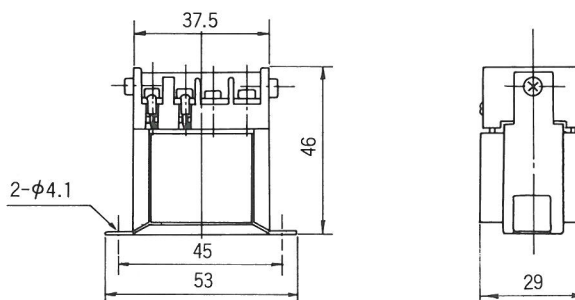
**Quick relay  
Type QR-15V**



**Socket with metal fastening clips  
Type TP-38X**



**Transformer (Separately supplied)  
Type VT-1 2VA  
220V/15V or 110V/15V**



This specification may be changed without notice.