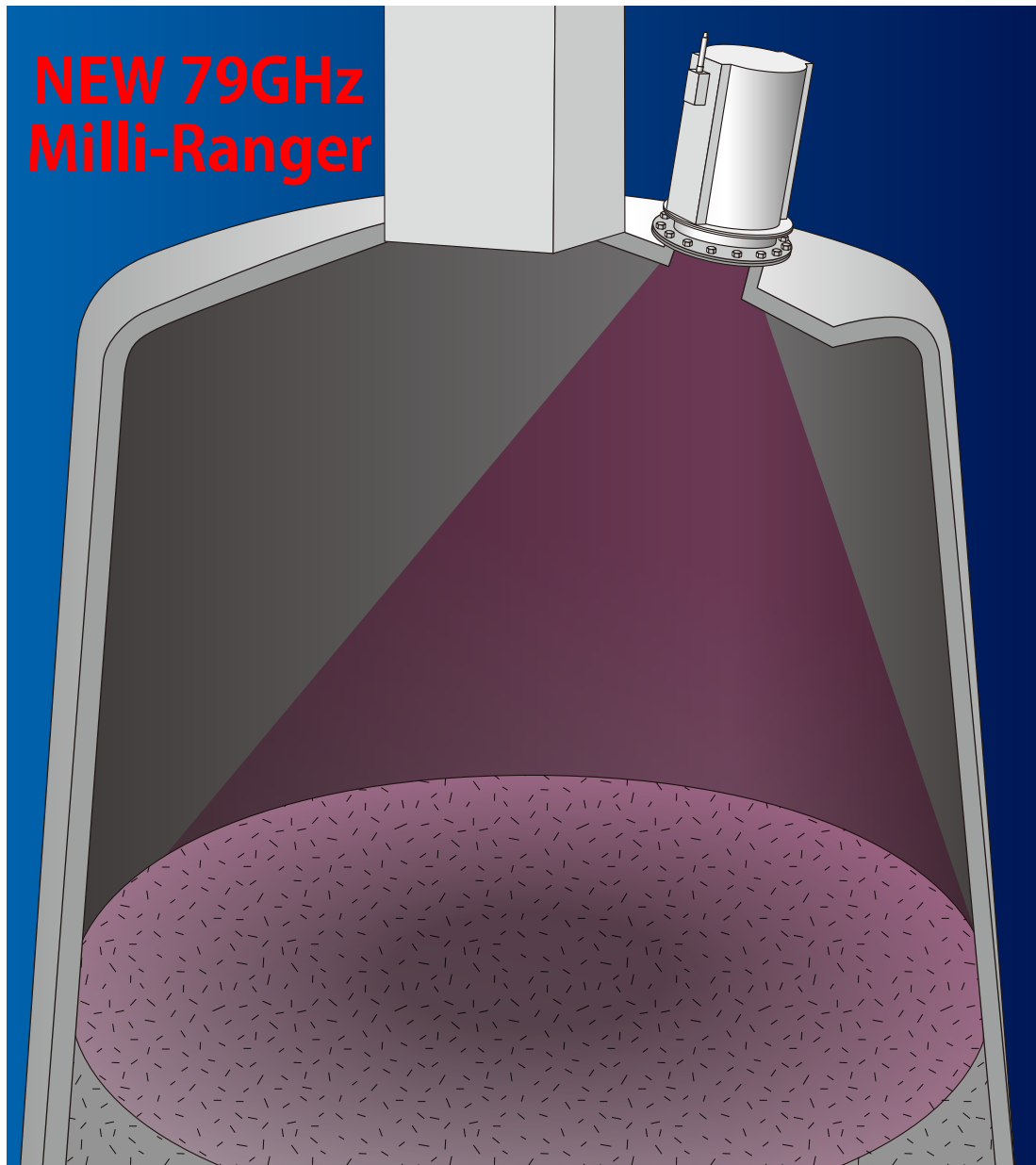




Simple Type 3D Profile Meter **MWS-3D-2/3** PAT. PEND. Milli-Scanner



The Wadeco MWS-3D-2/3 Milli-Scanner is a combination of a mechanical scanning system and 79GHz rangefinder which can be used to display a 3D surface map of the target.

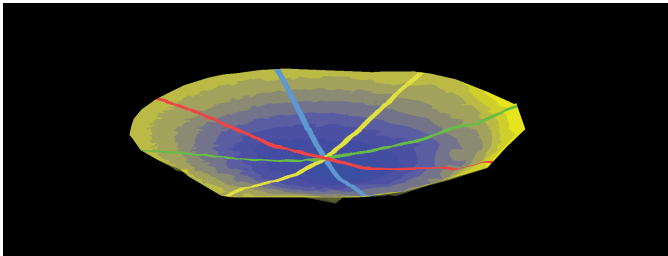
WADECO CO.,LTD.

The 3D surface map can be displayed.

Special Features

- Displays 3D surface map and its sectional profiles at selectable angles.
- Compact, simple design results in easy maintenance.
- With a shutter, the profile meter is separated from the inside of the container.
- Maximum distance measurement of 15m.

Measurement Data (Image)



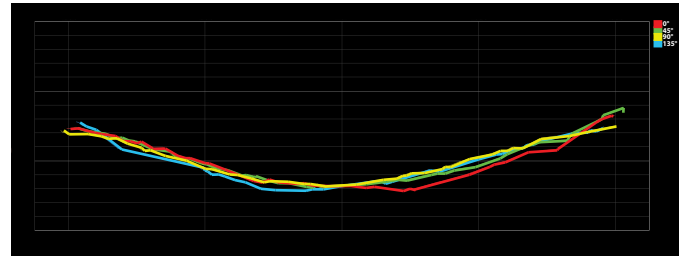
3D surface map

Specifications

- Model MWS-3D-2 Coarse
MWS-3D-3 Fine
- Field of view $\pm 22.5^\circ$ (Front/back direction)
 $\pm 22.5^\circ$ (Left/right direction)
- Accuracy $\pm 50\text{mm}$
- Measurement Time Min. 20 sec.
- Installation hole size Approx. $\phi 400\text{mm}$

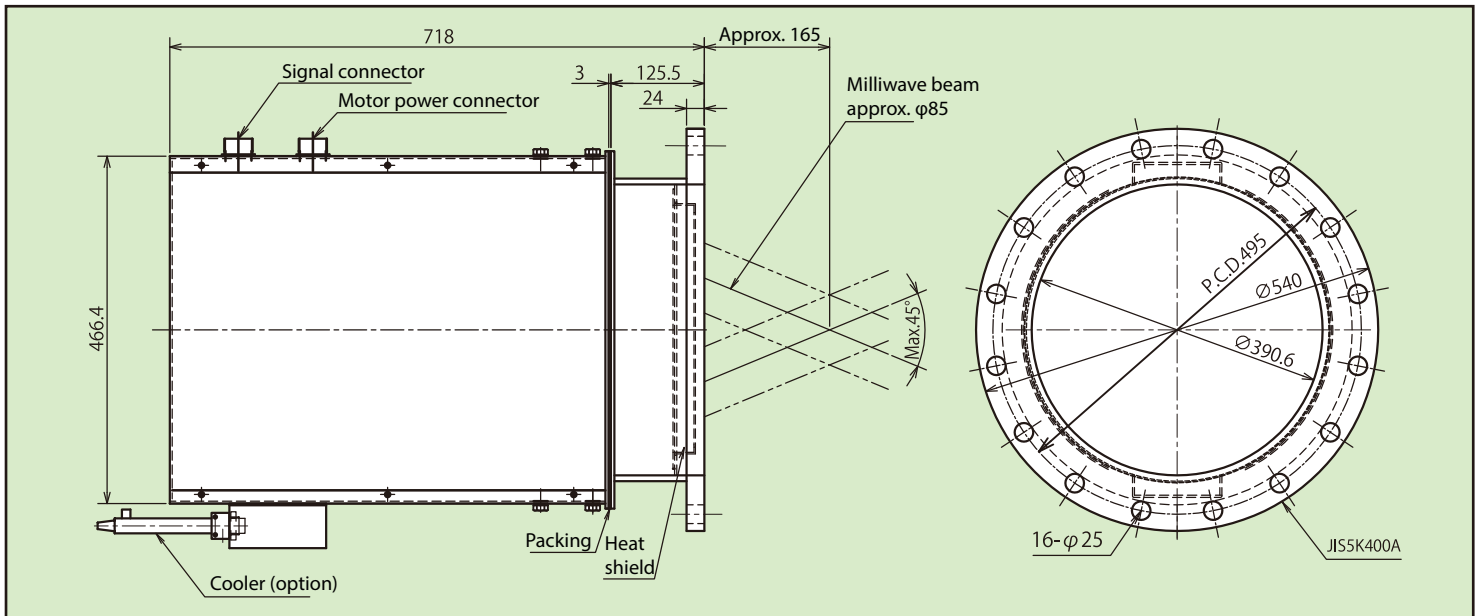
Output or Display

3D surface measurement map data.



Sectional profile at selectable angles

Dimensions



These specifications may be changed without notice.



HEAD OFFICE 1-12-9, Meishin-cho, Amagasaki-shi, Hyogo-ken, 661-0021, Japan
 TEL(06)6422-1248 FAX(06)6422-1247
 TOKYO BRANCH 202 Shibuya-homes,2-1,Udagawa-cho,Shibuya-ku,Tokyo
 150-0042,Japan
 TEL.+81-3-3770-5519 FAX.+81-3-3770-5520
 www.wadeco.co.jp